

# **PART 7**

# **PURPLE SECTION**

# **TRANSMISSION**

# **FITTINGS**

## Contents

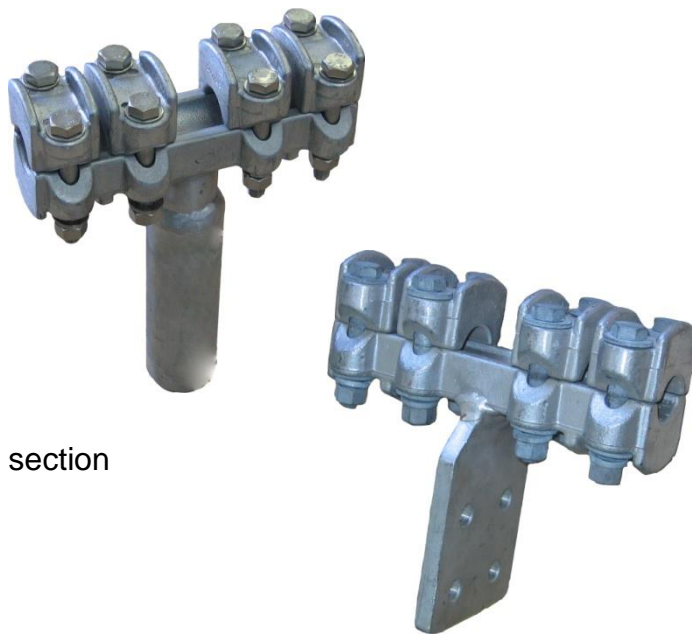
### TRANSMISSION FITTINGS

#### ALUMINIUM CONNECTORS

<i>COMPRESSION TEE &amp; JOINT</i> .....	3
<i>COMPRESSION JUMPER LUGS</i> .....	5
<i>CONDUCTOR DIA CODES</i> .....	7

**Aluminium Compression Tee Connector – Catalogue No. CTC**

High quality cast aluminium body with tube section welded to main body to allow for tee-off of your choice.  
Please consult Factory for further details.



**Bolted Tee Connector – Catalogue No. BTC**

High quality cast aluminium body with flat palm section welded to main body.

**Mid-Span Compression Joint – Catalogue No. MSCJ**



Main body made from high conductivity aluminium. Galvanised steel inner sleeve for inner core of steel compression. Nominate conductor stranding when ordering.

**CHART REFERS TO COMPRESSION DEAD-END AND MID-SPAN COMPRESSION JOINT.**

Conductor Details		Compression Tube Details		
		Aluminium		Steel
Code Name	Stranding	O.D. mm	I.D. mm	O.D. mm
Cherry	6/4.75 + 7/1.60	30.5	15.9	13.5
Grape	30/2.50 + 7/2.50	39.7	19.5	18.4
Lemon	30/3.00 + 7/3.00	39.7	22.1	20.7
Lime	30/3.50 + 7/3.50	45	27	22.3
Mango	54/3.00 + 7/3.25	50	29	20.7
Orange	54/3.25 + 7/3.25	51	31.5	22.3
Olive	54/3.50 + 7/3.50	54	34.4	23.5

**Compression Dead-End – Catalogue No. DECT**

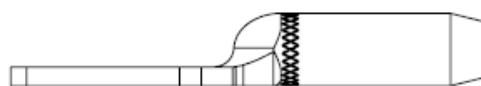
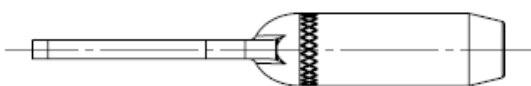
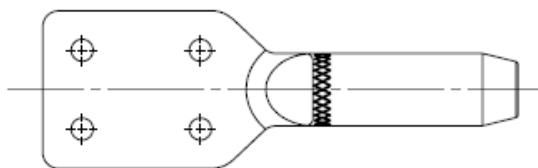
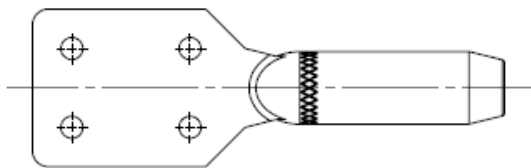
The complete assembly consists of galvanized forged steel core and eye with manufactured aluminium compression body with terminal palm. Drilling to suit compression terminal palms. Nominate conductor stranding when ordering.



Also available with transverse palm, two hole palms and a range of jumper lugs.

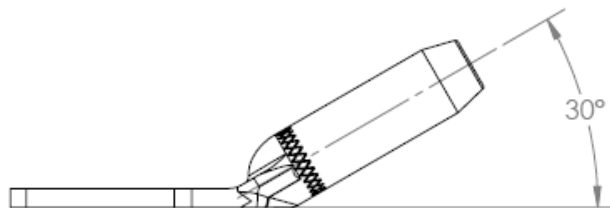
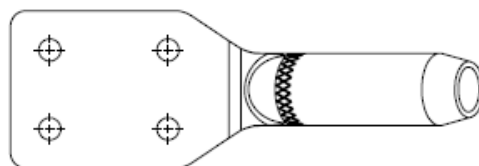


**PLEASE ENQUIRE FOR ANY FURTHER TRANSMISSION FITTINGS.**



**CENTRE PALM**

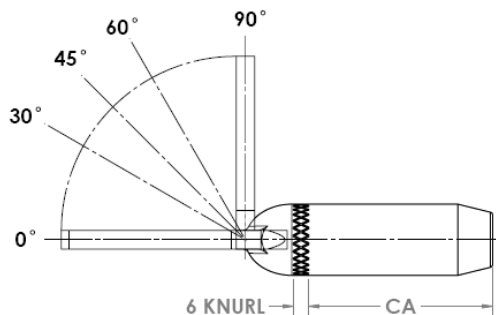
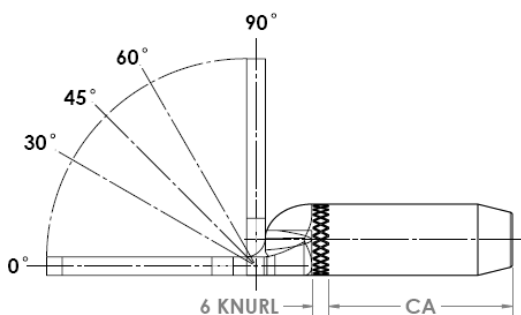
**OFFSET PALM**



**30° PALM BENT ON EDGE**

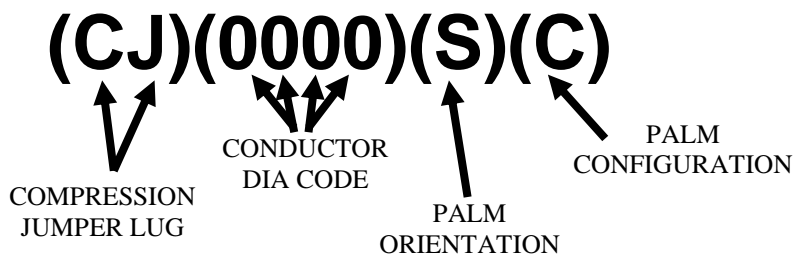
**30° PALM ON FLAT**

**COMPRESSION TERMINAL CONNECTORS**



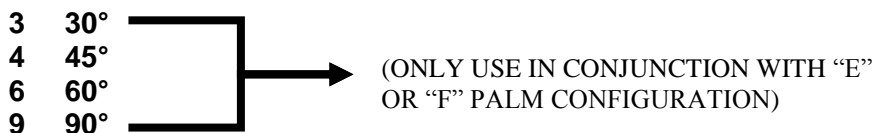
**OFFSET PALM**

**CENTRE PALM**



**CONDUCTOR DIA CODE:** ← THE PREFERRED CODE FOR USE IS THE AAC OVER THE AAAC OR ACSR CODES. IF THE LUG IS REQUIRED FOR AN ACSR OR AAAC CONDUCTOR AND A SUITABLE AAC DESIGN IS UNAVAILABLE. ONLY THEN USE THE ACSR OR AAAC CODE

**PALM ORIENTATION: S**    **“S”TRAIGHT**    (USED ONLY IN CONJUNCTION WITH THE “C” OR “O” PALM CONFIGURATION)



**PALM CONFIGURATION: E**    **“E”DGE BENT**    (ONLY CENTRE SQUASHED. ONLY USED IN CONJUNCTION WITH THE ABOVE ANGLED LUGS)  
**“F”LAT BENT**

**C**    **STRAIGHT “C”ENTRE**    (ONLY USED IN CONJUNCTION WITH ABOVE “S” PALM ORIENTATION FOR STRAIGHT LUGS)  
**O**    **STRAIGHT “O”FFSET**

**PALM HOLE CODE**

1	1 @ 14mm HOLE PALM 32 ± 3mm WIDE x 35mm MIN LONG x 6mm MIN THICK
1U	UNDRILLED PALM PER TYPE 1 ABOVE
2	1 @ 14mm HOLE PALM 40 ± 3mm WIDE x 45mm MIN LONG x 6mm MIN THICK
2U	UNDRILLED PALM PER TYPE 2 ABOVE
3	2 @ 14mm HOLE 50mm CTRS PALM 40 ± 3mm WIDE x 105mm MIN LONG x 12mm MIN THICK
3U	UNDRILLED PALM PER TYPE 3 ABOVE
4	2 @ 14mm HOLE 50mm CTRS PALM 50 ± 5mm WIDE x 105mm MIN LONG x 12mm MIN THICK
4U	UNDRILLED PALM PER TYPE 4 ABOVE
5	4 @ 14mm HOLE 50mm CTRS PALM 100 ± 5mm WIDE x 105mm MIN LONG x 12mm MIN THICK
5U	UNDRILLED PALM PER TYPE 5 ABOVE
6	2 @ 14mm HOLE 50mm CTRS PALM 46 ± 1mm WIDE x 105mm MIN LONG x 12mm MIN THICK
6U	UNDRILLED PALM PER TYPE 6 ABOVE
7	2 @ 18mm HOLE 60mm CTRS PALM 66 ± 1mm WIDE x 135mm MIN LONG x 20mm MIN THICK
7U	UNDRILLED PALM PER TYPE 7 ABOVE
8	4 @ 18mm HOLE 60mm CTRS PALM 130 ± 5mm WIDE x 135mm MIN LONG x 20mm MIN THICK
8U	UNDRILLED PALM PER TYPE 8 ABOVE
9	2 @ 18mm HOLE 60mm CTRS PALM 56 ± 1mm WIDE x 135mm MIN LONG x 20mm MIN THICK
9U	UNDRILLED PALM PER TYPE 9 ABOVE
X	NON STANDARD PALM OR HOLE CONFIGURATION
XU	UNDRILLED PALM PER TYPE X ABOVE

**CONDUCTOR DIA CODES.**

Cond code	Metric						Imperial		
	Code Name			Stranding	Conductor O.D		CODE NAME	Stranding	O.D Inches
	AAAC	AAAC	AAC		mm	inches			
	<b>6201</b>	<b>1120</b>							
0525	Agate	Argon	Gemini	7/1.75	5.25	2.067	Bug	7/064	0.192
0675	Amethyst	Boron	Jupiter	7/2.25	6.75	2.657	Locust	7/093	0.279
0075	Diamond	Chlorine	Leo	7/2.25	7.5	2.953			
0009	Emerald	Fluorine	Libra	7/3.00	9	3.543	Grub	7/118	0.354
0113	Garnet	Helium	Mars	7/3.75	11.3	4.449		7/144	0.432
0135	Jade	Hydrogen	Mercury	7/4.50	13.5	5.315	Wasp	7/173	0.519
0145	Asper	Iodine	Moon	7/4.75	14.3	5.630		7/186	0.558
0163	Opal	Krypton	Neptune	19/3.25	16.3	6.417	Hornet	19/128	0.640
0188	Pearl	Neon	Pluto	19/3.75	18.8	7.402	Chafer	19/149	.745
0021	Ruby	Nitrogen	Saturn	37/3.00	21	8.268	Cockroach	19/166	.830
0238	Rutile	Oxygen	Taurus	19/4.75	23.8	9.370	Butterfly	19/183	.915
0263	Sapphire	Phosphorus	Triton	37/3.75	26.3	10.354	Centipede	37/149	1.043
0293	Spinel	Selenium	Uranus	61/3.25	29.3	11.535	Scorpion	37/168	1.176
0338	Topaz	Sulphur	Venus	61/3.75	33.8	13.307	Cicada	37/183	1.281
0495	Zircon	Xenon	Virgo	91/4.50	49.5	1.949			

**A.C.S.R CONDUCTOR SIZES**

METRIC				IMPERIAL		
CODE NAME	STRANDING	CONDUCTOR O.D.		CODE NAME	STRANDING	O.D. Inch
		mm	Inch			
Almond	6/2.50 + 1/2.50	7.5	0.295	Gopher	6/1/093	0.279
Apple	6/3.00 + 1/3.00	9	0.354	Ferret	6/1/118	0.354
Banana	6/3.75 + 1/3.75	11.3	0.445	Mink	6/1/144	0.432
Cherry	6/4.75 + 7/1.60	14.3	0.563	Dog	6/186 7/062	0.558
Grape	30/2.50 + 7/2.50	17.5	0.689	Wolf	30/7/102	0.714
Lemon	30/3.00 + 7/3.00	21	0.827	Panther	30/7/118	0.826
Lime	30/3.50 + 7/3.00	24.5	0.965	Bear	30/7/132	0.924
Mango	54/3.00 + 7/3.00	27	1.063	Dison	54/7/118	1.062
Orange	54/3.50 + 7/3.25	29.3	1.154	Brolga	54/7/129	1.162
Olive	54/3.50 + 7/3.50	31.5	1.24	Moose	54/7/139	1.251
Paw Paw	54/3.75 + 19/2.25	33.8	1.331	Finch	54/143 19/086	1.293

**THIS PAGE HAS BEEN LEFT INTENTIONALLY BLANK**