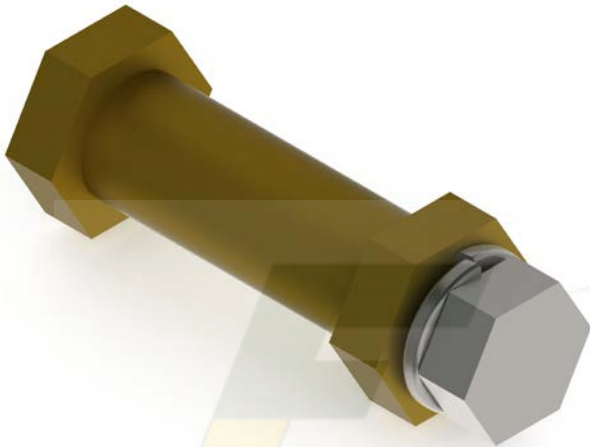


DATA SHEET

BSE12 & BSE16

BRASS EARTH STUB (McKEOWN STUD)



DESCRIPTION	BRASS EARTH STUB
SIZE (mm)	80L x 30.16 A/F HEX
COLOUR	BRASS
WEIGHT	0.35kg

MATERIAL: BRASS

HARDWARE: STAINLESS STEEL G304

TESTING: NOT AVAILABLE

SALES DRAWING No: 8-S0229

NOTE: BRASS STUB MADE TO SUIT EITHER M12 HARDWARE OR M16
HARDWARE