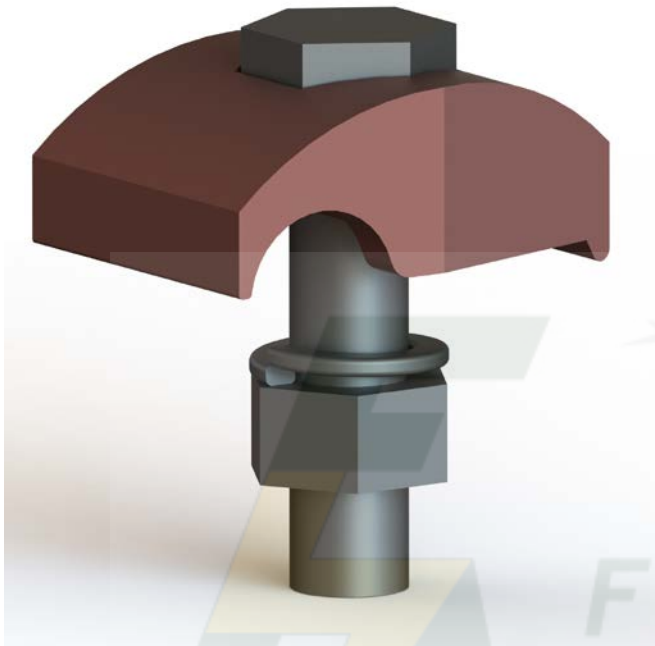


DATA SHEET

GCS58 EARTHING CLAMP



DESCRIPTION	EARTHING CLAMP
SIZE (mm)	50L x 36.5W x 21.5H
COLOUR	GUNMETAL
WEIGHT	0.21 kg

MATERIAL: GUNMETAL

HARDWARE: STAINLESS STEEL – GRADE 304

TESTING: Designed to be compliant to AS1154.1-2009 (non-tension fittings – short-time current test)

SALES DRAWING No: 8-S0058

NOTE: For clamping earth cable to metal

CONDUCTOR RANGE	
mm²	O.D. mm
70-135	10.70-15.25