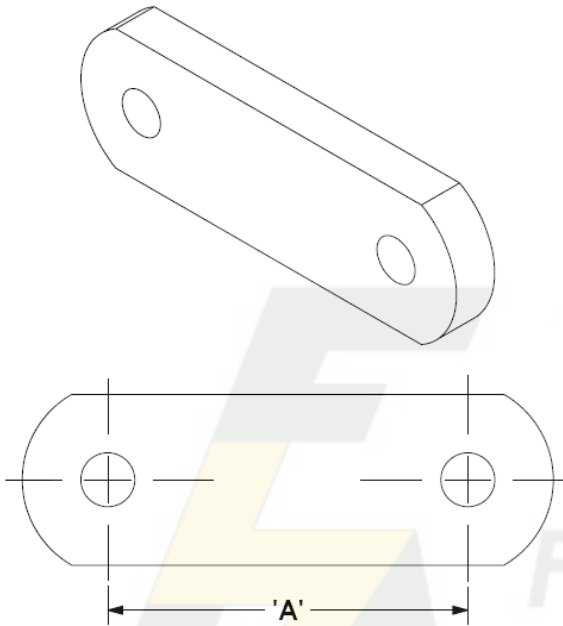


DATA SHEET

SSP – CSP - PSP SADDLE CLAMPS SPACERS



DESCRIPTION	Saddle Clamp Spacer
SIZE (mm)	As below
COLOUR	BLACK PLASTIC, COPPER, OR STAINLESS STEEL
WEIGHT	

MATERIAL: PLASTIC, COPPER, OR STAINLESS STEEL

HARDWARE: N/A

TESTING: NOT AVAILABLE

SALES DRAWING No: PLASTIC: 8-S0095 – COPPER: 8-S0420 –
 STAINLESS STEEL: 8-S0419

NOTE: Used in conjunction with Saddle Clamps when bus-bar is to be elevated from wall or roof.
 Please quote busbar size when ordering to receive correct spacer. e.g. PSP253 (Plastic),
 CSP253 (Copper), OR SSP253 (Stainless Steel)

BUSBAR	'A'
12mm x 1.5mm	40mm
20mm x 3mm	40mm
25mm x 3mm	40mm
25mm x 6mm	40mm
40mm x 3mm	52mm
40mm x 6mm	52mm
50mm x 3mm	64mm
50mm x 6mm	64mm